

2MP Ultra Low Light IP Box Camera

SY-BC-ULX

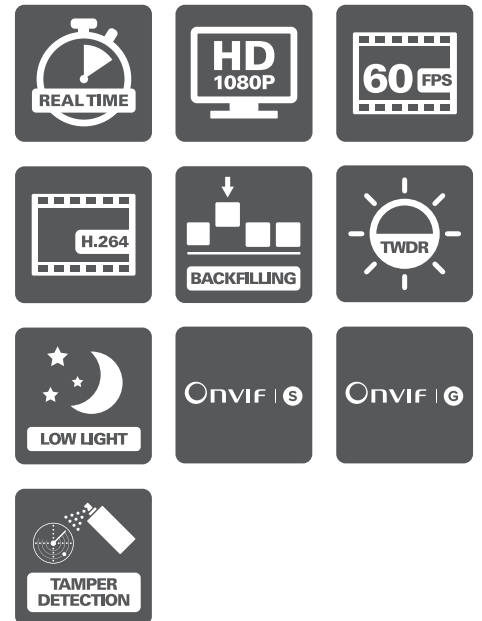
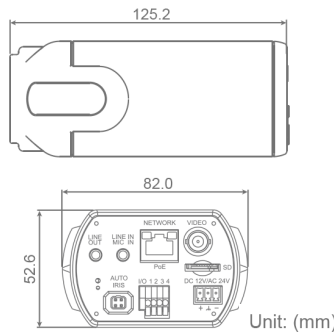
The Synectics Ultra Low Light Box Camera is capable of delivering high quality video in all lighting conditions from ultra low light to high contrast.



The Synectics full real-time 2MP 1080P IP Box Camera*¹ integrates the superior Sony Exmor™ 1/1.9" progressive scan CMOS sensor with support for a wide range of CS mount megapixel lenses.

The IP Box Camera provides exceptional picture quality combining its impressive ultra low light sensor, true wide dynamic range capabilities and CS lens mount to deliver reliable video in all lighting conditions.

The Synectics IP Box Camera*² is the ideal choice for locations where built-in lens cameras are not suitable.



*¹ Note image is for reference only, actual camera does not include the lens shown. All lenses are optional dependent on customers requirements.

*² Backfilling requires an optional SD to be installed to use this feature.

Specifications

CAMERA		SY-BC-ULX
Image Sensor	2MP Sony Exmor™ 1/1.9" Progressive Scan CMOS	
Effective Pixels	1920 (H) x 1080 (V)	
Resolution	Full HD 1080P / SXGA / HD 720P / XGA / SVGA / D1 / VGA / CIF / QCIF 50/60fps or 25/30 fps (2 shutter WDR)	
Min Illumination Color	0.002 lux	
Min Illumination B&W	0.0002 lux	
Shutter Speed	1 ~ 1/10000 sec	
LENS		
Lens Mount	CS Mount	
Lens	N/A	
FOV	N/A	
F Number	N/A	
P Iris	N/A	
Focus Mode	N/A	
Digital Zoom	10x	
PTZ OPTIONS		
Pan Travel	N/A	
Tilt Travel	N/A	
Manual Speed	N/A	
Presets	N/A	
Preset Accuracy	N/A	
Preset Speed	N/A	
Sequence	N/A	
Auto Pan	N/A	
Cruise	N/A	
Proportional Pan /Tilt	N/A	
Home Function	N/A	
Auto Flip	N/A	
Image Rotation	Flip / Mirror / Inverse / Portrait	
STREAMING OPTIONS		
Compression	H.264	
ONVIF Profile	S / G	
Stream	PAL: H.264 1080P (50fps) + H.264/MJEG D1 (50fps) NTSC: H.264 1080P (60fps) + H.264 D1 (30fps)	
Stream 1 Max Resolution and FPS	H.264 1080P (60fps)	
Stream 2 Max When Stream 1 Set Max Resolution and FPS	H.264 D1 (30 fps)	
Stream 1 1080P Resolution and Max FPS	H.264 1080P (60 fps)	
Stream 2 Max when Stream 1 Set 1080P Resolution and Max FPS	H.264 D1 (30 fps)	
Min/Max Bitrate	64/8195 (kbps)	

OPERATION	
ICR	Auto / Smart IR / Light Sensor
LED Numbers	N/A
LED Distance	N/A
White Balance	Auto / Manual / ATW / Indoor / Outdoor
NR	2D / 3D
BLC	On / Off
WDR	Shutter WDR (> 120dB)
DIS / EIS	Y
Motion Detection	On / Off / Schedule
Privacy Mask Type	8 Colors / 5 Sets
Tamper Alarm	On / Off / Schedule
Audio Type	Line In / Line Out
Audio In	G.711 / G.726
Audio Out	G.711 / G.726
Audio Sample Rate	8000
Analog Out	Y
Heater	N/A
Fan	N/A
Alarm Input	1 Set 5V 10k Ω Pull Up
Alarm Output	1 Set Photo Relay Output 300V DC / AC
Event Notification	HTTP / FTP / SMTP
SD Card Support	microSDHC 32GB
Ethernet Connector	RJ-45 Cable
Power Connector	3 Pin Terminal Block
ENVIRONMENTAL	
O/I Connector	4 Pin Terminal Block, Pitch 3.5 mm
Operating Temperature	-10°C ~ 50°C (-14°F ~ 122°F)
Storage Temperature	-20°C ~ 65°C (-4°F ~ 149°F)
Humidity	10% ~ 90%, No Condensation
Vandal Resistant	N/A
GENERAL	
IP Rating	N/A
Power ^{*3}	PoE / DC12V
Power Priority 1	N/A
Power Priority 2	N/A
Power Priority 3	N/A
Power Failover	N/A
PoE Classification	Class 0
Power Consumption (Total Unit)	Max 7.5W
Dimensions	149.66 x 79.73 x 52.57 mm / 5.89" x 3.14" x 2.07" without lens
Weight	395 g (0.87 lbs) without lens

NOTE: *3 If multiple power inputs are to be used simultaneously on the camera (such as AC power + PoE or DC power + PoE) all power supplies must be isolated power supplies. If non-isolated power supplies are deployed, they must be used in conjunction with appropriate isolation between each individual camera and the non-isolated power supply.

Synectics

sales@synecticsglobal.com

synecticsglobal.com

Specifications subject to change. E & OE.

Literature Reference: SY-BC-ULX/1017/USL Iss 6

Copyright © Synectic Systems Group Limited, Synectic Systems, Inc., Synectic Systems (Asia) Pte. Limited 2017. All Rights Reserved.