

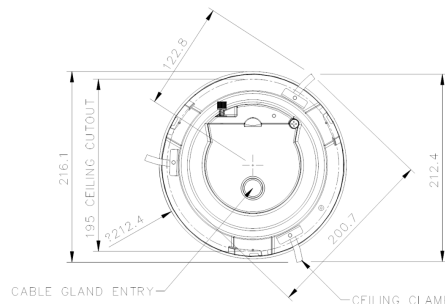
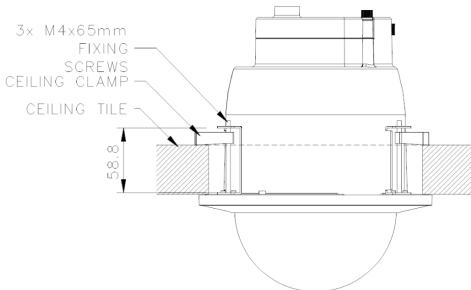
2MP Low Light In Ceiling PTZ Plenum Dome Camera SY-ICPTZ30-S-LLZ

The Synectics Low Light In Ceiling PTZ Camera matches great picture performance with an ultra-small in ceiling plenum housing.



The Synectics full real-time 2MP HD multi-stream pan tilt zoom dome IP camera is equipped with a Sony Exmor™ progressive scan CMOS sensor providing outstanding video resolution.

The in ceiling dome provides full 1080P HP 50/60fps streaming or true WDR at 25/30fps. Coupled with its 30x AF zoom lens, it is capable of viewing subjects over long distances with ease. It has an ultra-small in ceiling mount that makes it the ideal choice where multiple views are required.



Specifications

CAMERA		SY-ICPTZ30-S-LLZ
Image Sensor		1/2.8" Sony Progressive CMOS
Effective Pixels		1920 (H) x 1080 (V)
Resolution		H.264/MJPEG - Full HD 1080P / SXGA / HD 720P / XGA / SVGA / D1 / VGA / CIF / QVGA
Min Illumination Color		0.02 Lux
Min Illumination B&W		0.005 Lux
Shutter Speed		1 ~ 1/10000 sec
LENS		
Lens Mount		N/A
Lens		30x AF / 4.4 ~ 132 mm
FOV		64.5° (Wide); 3.00° (Tele)
F Number		F 1.4 (Wide); F 4.7 (Tele)
P Iris		Y
Focus Mode		Auto, Push AF
Digital Zoom		12x
PTZ OPTIONS		
Pan Travel		360° Endless
Tilt Travel		-10° ~ 190°
Manual Speed		0.5° ~ 90° / Sec
Presets		256
Preset Accuracy		0.225°
Preset Speed		5° ~ 400° / Sec
Sequence		8
Auto Pan		4
Cruise		8
Proportional Pan /Tilt		On / Off (Pan and tilt speed proportional to zoom ratio)
Home Function		Preset / Sequence / Auto pan / Cruise
Auto Flip		Image / Mechanical / Off
Image Rotation		Flip / Mirror / Inverse
STREAMING OPTIONS		
Compression		H.264
ONVIF Profile		S
Stream		H.264 1080P @ 30fps (Shutter WDR Enable) H.264 1080P @ 60fps (Shutter WDR Disable)
Stream 1 Max Resolution and FPS		H.264 1080P @ 60fps (Shutter WDR Disable)
Stream 2 Max When Stream 1 Set Max Resolution and FPS		H.264 D1 @ 60fps (Shutter WDR Disable)
Stream 1 1080P Resolution and Max FPS		H.264 1080P @ 30fps (Shutter WDR Enable)
Stream 2 Max when Stream 1 Set 1080P Resolution and Max FPS		H.264 1080P @ 30fps (Shutter WDR Enable)

OPERATION	
ICR	On / Off
LED Numbers	N/A
LED Distance	N/A
White Balance	Auto / Indoor / Outdoor / ATW / Manual
NR	2D / 3D
BLC	Y
WDR	True WDR (Up to 120 dB)
DIS / EIS	Y
Motion Detection	Y
Privacy Mask Type	16
Tamper Alarm	On / Off / Schedule
Audio Type	Two-way Audio
Audio In	AAC / G.711 / G.726
Audio Out	AAC / G.711 / G.726
Audio Sample Rate	ACC: 48000 / Other: 8000
Analog Out	Y
Heater	N
Fan	Y
Alarm Input	4 Sets / 5V 10kΩ Pull Up
Alarm Output	2 Sets / Relay output, max. 2A DC 30V / 0.5A AC 125V
Event Notification	HTTP / FTP / SMTP
SD Card Support	microSDXC 64GB Support
Ethernet Connector	RJ-45 Solid
Power Connector	3 Pin Terminal Block
I/O Connector	12 Pin Terminal Block
Protocol	IPv4/v6, TCP/IP, UDP, RTP, RTSP, HTTP, HTTPS, ICMP, FTP, SMTP, DHCP, PPPoE, UPnP, IGMP, SNMP, QoS, ONVIF S
Security	HTTPS / IP Filter / IEEE 802.1X
ENVIRONMENTAL	
Operating Temperature	0°C ~ 40°C (32°F ~ 104°F)
Storage Temperature	-20°C ~ 65°C (-4° ~ 149° F)
Humidity	10% ~ 90%, No Condensation
Vandal Resistant	N/A
IP Rating	N/A
GENERAL	
Power*1	802.3at PoE+ (30W) / AC 24V ± 10%
Power Priority 1	AC
Power Priority 2	PoE
Power Priority 3	N/A
Power Failover	N/A
PoE Classification	Class 4
Power Consumption (Total Unit)	Max: 25W
Dimensions	∅ 213 x 249.5 mm / ∅ 8.4 x 9.8"
Weight	2.3 kg (5.11 lb) TBC
Certification	CE / FCC

NOTE: *1 If multiple power inputs are to be used simultaneously on the camera (such as AC power + PoE or DC power + PoE) all power supplies must be isolated power supplies. If non-isolated power supplies are deployed, they must be used in conjunction with appropriate isolation between each individual camera and the non-isolated power supply.

Synectics

sales@synecticsglobal.com

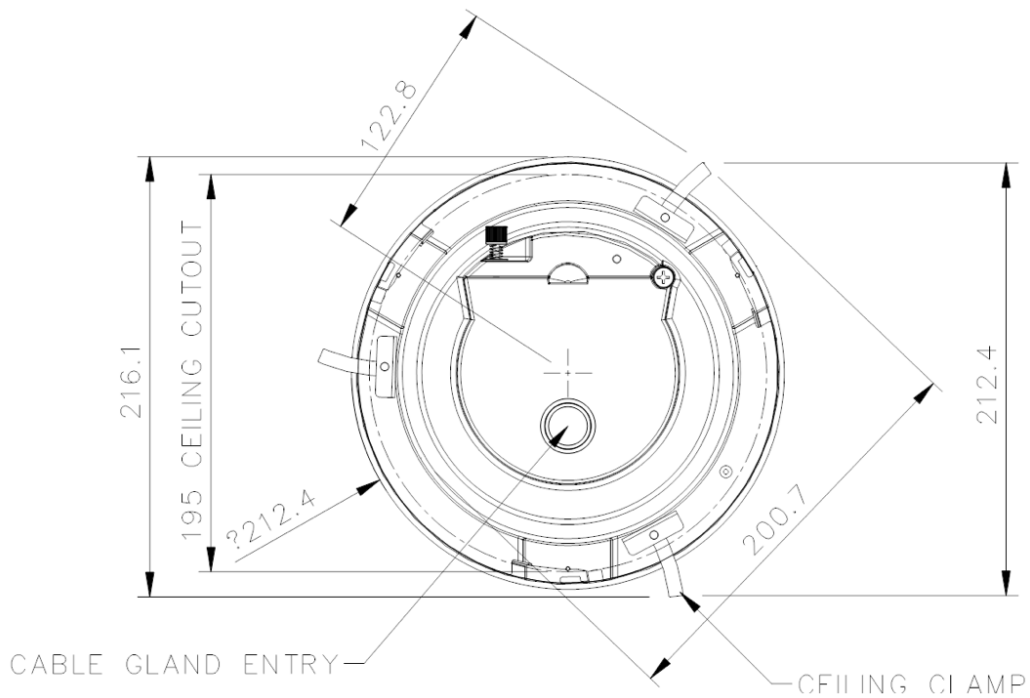
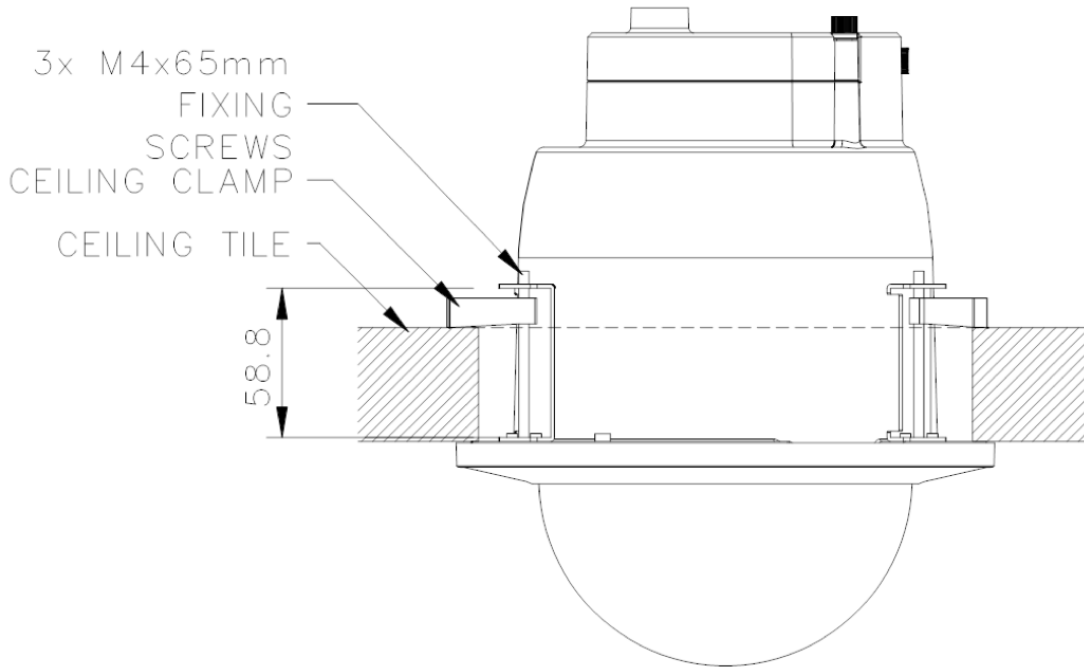
synecticsglobal.com

Specifications subject to change. E & OE.

Literature Reference: SYICPTZ30/0617/USL Iss 3

Copyright © Synectic Systems Group Limited, Synectic Systems, Inc., Synectic Systems (Asia) Pte. Limited 2017. All Rights Reserved.

Diagrams



Cut hole size: 195 mm