

2MP Low Light IP PTZ Dome Cameras

SY-PTZ30-LLZ / SY-PTZ30E-LLZ

The Synectics Low Light PTZ Cameras match great picture performance with Internal and External environmental options.

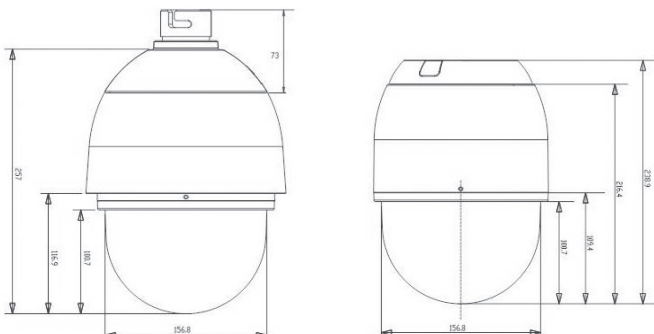


EXTERNAL

The Synectics full real-time 2MP HD multi-stream pan tilt zoom dome IP cameras are equipped with a Sony Exmor™ progressive scan CMOS sensor providing outstanding video resolution.

The domes provide full 1080P HP 50/60fps streaming or true WDR at 25/30fps. Coupled with their 30x AF zoom lens, they are capable of viewing subjects over long distances with ease. There is both an Internal and External option, with the External unit being IP66 and IK10 with an inbuilt heater. They are the ideal choice for locations where multiple views are required in any environment.

Dimensions for SY-PTZ30-LLZ Internal Low Light PTZ Camera





Specifications

CAMERA	SY-PTZ30-LLZ ^{*1}	SY-PTZ30E-LLZ ^{*2}
Image Sensor	1/2.8" Sony Progressive CMOS	
Effective Pixels	1920 (H) x 1080 (V)	
Resolution	H.264/MJPEG - Full HD 1080P / SXGA / HD 720P / XGA / SVGA / D1 / VGA / CIF / QVGA	
Min Illumination Colour	0.02 Lux	
Min Illumination B&W	0.005 Lux	
Shutter Speed	1 ~ 1/10000 sec	
LENS		
Lens Mount	N/A	
Lens	30x AF / 4.4 ~ 132 mm	
FOV	64.5° (Wide); 3.00° (Tele)	
F Number	F 1.4 (Wide); F 4.7 (Tele)	
P Iris	Y	
Focus Mode	Auto, Push AF	
Digital Zoom	12x	
PTZ OPTIONS		
Pan Travel	360° Endless	
Tilt Travel	-10° ~ 190°	
Manual Speed	0.5° ~ 90° / Sec	
Presets	256	
Preset Accuracy	0.225°	
Preset Speed	5° ~ 400° / Sec	
Sequence	8	
Auto Pan	4	
Cruise	8	
Proportional Pan /Tilt	On / Off (Pan and tilt speed proportional to zoom ratio)	
Home Function	Preset / Sequence / Auto pan / Cruise	
Auto Flip	Image / Mechanical / Off	
Image Rotation	Flip / Mirror / Inverse	
STREAMING OPTIONS		
Compression	H.264	
ONVIF Profile	S	
Stream	H.264 1080P @ 30fps (Shutter WDR Enable) H.264 1080P @ 60fps (Shutter WDR Disable)	
Stream 1 Max Resolution and FPS	H.264 1080P @ 60fps (Shutter WDR Disable)	
Stream 2 Max When Stream 1 Set Max Resolution and FPS	H.264 D1 @ 60fps (Shutter WDR Disable)	
Stream 1 1080P Resolution and Max FPS	H.264 1080P @ 30fps (Shutter WDR Enable)	
Stream 2 Max when Stream 1 Set 1080P Resolution and Max FPS	H.264 1080P @ 30fps (Shutter WDR Enable)	



OPERATION	
ICR	On / Off
LED Numbers	N/A
LED Distance	N/A
White Balance	Auto / Indoor / Outdoor / ATW / Manual
NR	2D / 3D
BLC	Y
WDR	True WDR (Up to 120 dB)
DIS / EIS	Y
Motion Detection	Y
Privacy Mask Type	16
Tamper Alarm	On / Off / Schedule
Audio Type	Two-way Audio
Audio In	AAC / G.711 / G.726
Audio Out	AAC / G.711 / G.726
Audio Sample Rate	ACC: 48000 / Other: 8000
Analogue Out	Y
Heater	N
Fan	Y
Alarm Input	4 Sets / 5V 10kΩ Pull Up
Alarm Output	2 Sets / Relay output, max. 2A DC 30V / 0.5A AC 125V
Event Notification	HTTP / FTP / SMTP
SD Card Support	microSDXC 64GB Support
Ethernet Connector	RJ-45 Solid
Power Connector	3 Pin Terminal Block
I/O Connector	12 Pin Terminal Block
Protocol	IPv4/v6, TCP/IP, UDP, RTP, RTSP, HTTP, HTTPS, ICMP, FTP, SMTP, DHCP, PPPoE, UPnP, IGMP, SNMP, QoS, ONVIF S
Security	HTTPS / IP Filter / IEEE 802.1X

ENVIRONMENTAL	SY-PTZ30-LLZ*1	SY-PTZ30E-LLZ*2
Operating Temperature	0°C ~ 40°C (32°F ~ 104°F)	-40°C ~ 50°C (-40°F ~ 122°F)
Storage Temperature	-20°C ~ 65°C (-4° ~ 149° F)	-20°C ~ 65°C (-4° ~ 149° F)
Humidity	10% ~ 90%, No Condensation	
Vandal Resistant	N/A	IK10
IP Rating	N/A	IP66

GENERAL	SY-PTZ30-LLZ*1	SY-PTZ30E-LLZ*2
Power*3	802.3at PoE+ (30W) / AC 24V ± 10%	802.3at PoE+ (60W) / AC 24V ± 10%
Power Priority 1	AC	
Power Priority 2	PoE	
Power Priority 3	N/A	
Power Failover	N/A	
PoE Classification	Class 4	Class 0
Power Consumption (Total Unit)	Max: 25W	Max: 60W
Dimensions	ø 171.7 x 228.7 mm / ø 6.7 x 9"	ø 191.9 x 282.1 mm / ø 7.5 x 11.1" (w/ Sunshield)
Weight	1.6 kg / 3.57 lb	2.3 kg / 5.11 lb (w/ Sunshield)
Certification	CE / FCC	

NOTE: *1 SY-PTZ30-S-LLZ (Smoked Bubble Option). *2 SY-PTZ30E-S-LLZ (Smoked Bubble Option). *3 If multiple power inputs are to be used simultaneously on the camera (such as AC power + PoE or DC power + PoE) all power supplies must be isolated power supplies. If non-isolated power supplies are deployed, they must be used in conjunction with appropriate isolation between each individual camera and the non-isolated power supply.

2MP Low Light IP PTZ Dome Camera Specific Accessories

ITEM	PART CODES	
Internal PTZ Pendant / Wall Bracket Adaptor	SYPTZ-A	
Internal PTZ In Ceiling Mount	SYPTZ-ICM	

Universal Accessories

ITEM	PART CODES
25 cm Straight Tube	SY-CM-T25
50 cm Straight Tube	SY-CM-T50
100 cm Straight Tube	SY-CM-T100
1.5" NPT Mount Adaptor Compatible with Pelco Camera Mounts	SY-CM-15NPT
Mini Wall Mount	SY-CM-MP
Standard Wall Mount	SY-CM-P
Wall Box	SY-CM-WMB
Corner Mount	SY-CM-CWM
Pole Mount	SY-CM-PMB

Synectics

sales@synecticsglobal.com

synecticsglobal.com

Specifications subject to change. E & OE.

Literature Reference: SY-PTZ30-LLZ /0517/USL Iss 4

Copyright © Synectic Systems Group Limited, Synectic Systems, Inc., Synectic Systems (Asia) Pte. Limited 2017. All Rights Reserved.